



HV SERIES

Belt Drive Fan

HV SERIES

Product Overview

- Free standing air circulation fan
- Ideal for industrial, commercial and agricultural applications
- Extracts stale and humid air from the building
- Fitted with a mesh safety guard on both sides
- Single or three phase motors
- Automatic backdraught shutter to reduce wasted heat
- IP55 Protection



Overview

The Hydor HV Belt Drive fan unit is specifically designed to ventilate larger buildings where substantial amounts of air are moved at low pressure with minimal energy consumption.

Size Range

The HV range is available in six versions and five sizes; 800mm, 1000mm, 1250mm 1.1Kw, 1250mm 1.5Kw, 1500mm and 2000mm diameter, each with single or three phase motors and the option of louvres and guards.

Construction

This powerful fan produces air volumes up to 20m³/s. Constructed from galvanised steel with a specially designed stainless steel impeller, these fans are extremely hard wearing and robust in application. The drive mechanism includes sealed for life maintenance free ball bearings, which means low noise and vibration levels.

Variations

The HV range is available in three variations; wall mounting with shutters, suspension mounting from the roof space or floor mounting with wheels. The HV range are supplied fully assembled with internal and external safety guards or a centrifugal operated backdraught shutter on the external side.



HVM Portable Option

Fitted with lockable wheels and handles.

Contents

Page	Information
3	Performance Data
4	Dimensional Data
5	Accessories
6	Notes

HV SERIES

Performance Data

Single Phase 220V to 240V / 50Hz

Product Code	Speed r/min	Airflow m ³ /s @ Static Pressure Pa						Power kW	FLC Amps	Start Amps	dBA @ 3m
		0	20	40	60	80	100				
HV800	630	4.588	4.091	3.589	2.840	-	-	0.75	4.5	14.3	58
HV1000	520	7.096	6.447	5.550	4.296	3.139	1.827	0.75	5.4	14.9	59
HV1250 (1.1kW)	400	11.002	9.578	8.030	6.190	4.028	-	1.1	7.2	25.7	60
HV1250 H (1.5kW)	440	12.104	10.863	9.465	7.866	5.746	3.189	1.5	8.4	29.5	63
HV1500	360	12.828	11.360	9.503	6.815	-	-	1.5	9.4	33.0	61
HV2000	280	20.137	16.539	12.970	7.639	-	-	1.5	10.0	35.0	59

Three Phase 400V / 50Hz

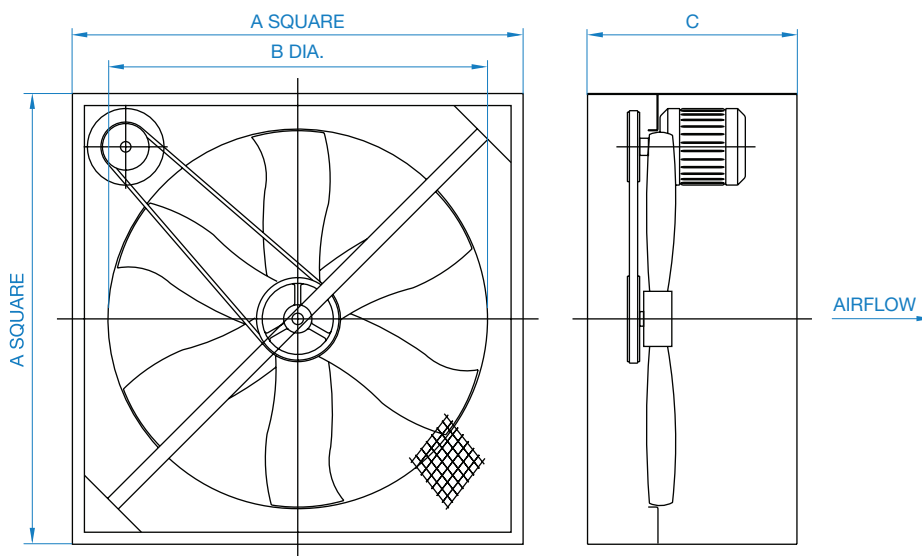
Product Code	Speed r/min	Airflow m ³ /s @ Static Pressure Pa						Power kW	FLC Amps	Start Amps	dBA @ 3m
		0	20	40	60	80	100				
HV800	630	4.588	4.091	3.589	2.840	-	-	0.75	2.0	5.9	58
HV1000	520	7.096	6.447	5.550	4.296	3.139	1.827	0.75	2.6	7.8	59
HV1250 (1.1kW)	400	11.002	9.578	8.030	6.190	4.028	-	1.1	2.89	8.7	60
HV1500	360	12.828	11.360	9.503	6.815	-	-	1.5	3.6	10.8	61
HV2000	280	20.137	16.539	12.970	7.639	-	-	1.5	3.8	12.5	59

Data in accordance with ErP 327/2011 of the European Parliament. Measurement category used to determine energy efficiency: A. FLC Amps @ 230V / 1Ph / 50Hz.
 Data in accordance with ErP 327/2011 of the European Parliament. Measurement category used to determine energy efficiency: A. FLC Amps @ 400V / 3Ph / 50Hz.
 Note: Motor electrical data is approximate, as it varies from one motor manufacturer to another.

HV SERIES

Dimensional Data

Product Code	A	B	C	Depth inc Louvre	Depth inc Louvre & Guard	Weight kg	Weight inc Louvre kg
HV800	960	800	330	405	470	32	44
HV1000	1150	1000	330	405	470	40	50
HV1250 (1.1kW)	1380	1250	330	405	470	50	70
HV1250 H (1.5kW)	1380	1250	330	405	470	52	72
HV1500	1495	1350	430	430	500	55	85
HV2000	1930	1760	450	450	515	75	100



Dimensions are in mm.

HV SERIES

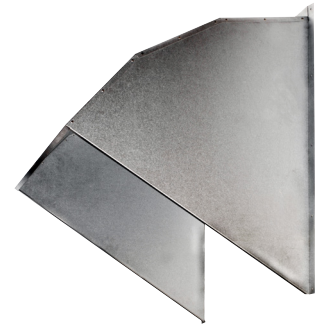
Accessories

Product Code	1Ø 3 Step Speed Controller	1Ø DOL Starter	3Ø DOL Starter	Blackout Filter
HV800	FC0149-TC110HV	004828	003644	000295
HV1000	FC0149-TC110HV	004828	004726	000301
HV1250 (1.1kW)	FC0149-TC110HV	004831	003645	000310
HV1250 H (1.5kW)	FC0149-TC112HV	004834	004296	000310
HV1500	FC149-TC116HV	004833	004296	-
HV2000	-	004833	004296	-

Product Code	HV Wall Cowl	Fixed Intake Weather Louvre with Guard		
		Mill	Paint	Watertight
HV800	HVWC800	003316	003320	004625
HV1000	HVWC1000	003317	003321	004626
HV1250 (1.1kW)	HVWC1250	003318	003322	004627
HV1250 H (1.5kW)	HVWC1250	003318	003322	004627
HV1500	HVWC1500	-	-	-
HV2000	HVWC2000	003319	003323	004628

WALL COWL

Accessories



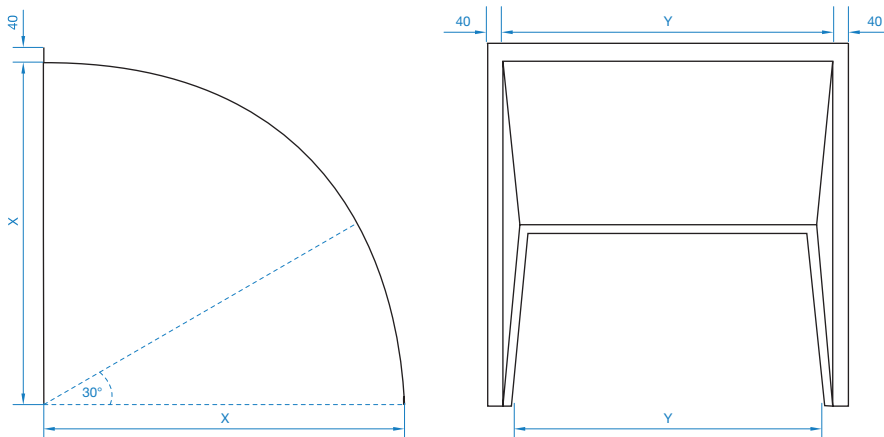
- Can be installed with HV Belt Drive fans
- Can be installed with Air Inlet Louvres
- Reduces rain ingress, preventing damage to the fan motor
- Reduces wind effect, encouraging even temperatures and reduced noise levels
- Pre-galvanised sheet metal construction
- Units tapered to assist stacking and transportation
- Prevents birds entering when fitted with a mesh. Available as an optional extra

Overview

To protect fans, inlets and outlets from inclement weather and reduce external light ingress. Available in galvanised steel or Aluzinc. Dispatched in flat pack, to reduce volume and carriage costs. Can be nested to each other.

Dimensional Data

Product Code	X - Wall Aperture	Y - Outlet
HVWC800	1000 x 1000	900 x 1000
HVWC1000	1200 x 1200	1100 x 1200
HVWC1250	1440 x 1440	1290 x 1440
HVWC2000	2000 x 2000	1720 x 2000



Dimensions are in mm.



Elta Fans Malaysia Sdn Bhd (714973-T)

Tel **+603 7846 0340**

Fax **+603 7842 1132**

Email **info@eltafans.asia**

Web **www.eltafans.asia**

No. 147, Jalan TUDM Kampung Baru Subang
40150 Shah Alam, Selangor West Malaysia, Malaysia

Elta Fans India Pvt. Ltd.

Tel **+(91) 33 2498 8126**

Fax **+(91) 33 2498 8126**

Email **info@eltafans.in**

Web **www.eltafans.in**

165, Bakhrahat Road, Post - Joka, Hanspukur,
Kolkata - 700104 West Bengal, India

Branches

Mumbai **+(91) 22 2683 2155**

New Delhi **+(91) 88 0043 4400**

Bengaluru **+(91) 80 4113 2524**