

# QAX SERIES



## Description

The QAX single flow decentralised mechanical ventilation unit is ideal for continuous running. It is the best DMEV ever tested at BRE laboratory (UK). Ideal for constant ventilation in the bathroom, study, toilet and other small to medium spaces. Suitable to ventilate air directly outside or through short ducting. Units can be wall, ceiling and window mounted. Available in 100mm model only.

### Typical Applications

Exhaust from toilets, ensuite bathrooms, washrooms, laundries and other small to medium spaces.

### Features

- Aesthetic front flat cover for modern interior designs, easily removed for cleaning.
- Unique design winglet-type impeller, providing enhanced aerodynamic properties, low noise levels and increased efficiency.
- Highly efficient EC brushless motor with ball bearings and integral thermal protection.
- Designed for continuous running, can be used for intermittent operation.
- Ultra low power consumption with 2.5W at maximum speed, designed for 24 hour operation.
- 3 selectable trickle speeds with a boost option.
- Ultra quiet from 11dB(A) - maximum 26dB(A).
- Double insulated so no earth connection is required.
- Cable entry from the back or side of the unit.
- Available in multiple versions.
- Comes with 2 year warranty.

### Construction

Fan housing made from high quality ABS which is shock proof and long lasting.

Finished in white RAL 9010 and UV resistant.

### Motor

Type - EC brushless motor.

Electricity supply - single phase 230V, 50Hz.

Bearings - ball.

Maximum ambient temperature - 50°C.

Class II insulation, IPX4 rated.

### Internal Thermal Protection

Model 100 - thermal cut out.

### Testing

Airflow to ISO 5801:2007

Noise to ISO 3741:2010

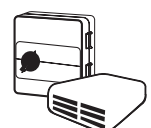
## Ancillary Equipment



Duct  
Ref. Section L



External Grilles  
Ref. Section L



Controllers  
Ref. Section M

## Suggested Specification

The single flow decentralised mechanical ventilation unit shall be of the QAX Series as supplied by Elta Fans and be of the models shown.

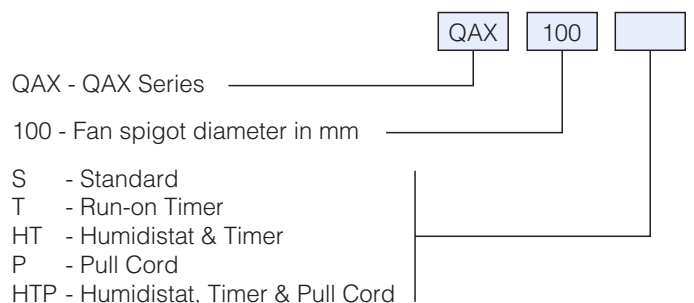
It shall have an EC brushless motor with ball bearings, and built in thermal protection.

All models shall be fully tested to ISO 5801:2007 for airflow and ISO 3741:2010 for noise.

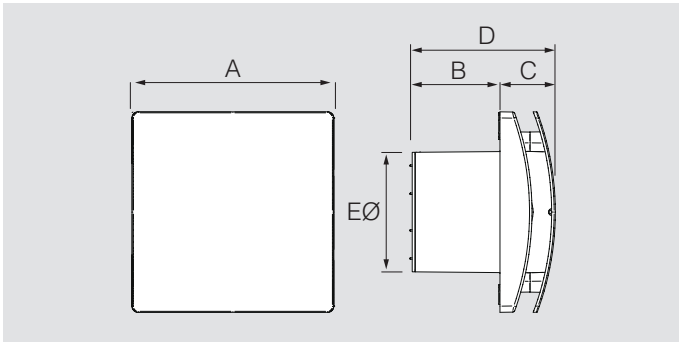
## Technical Data

Model Number	Speed Setting	Free Air m <sup>3</sup> /sec	Avg. dB(A) @ 3m	Watts	Max. °C
QAX	Boost	0.023	26	2.5	50
	High	0.013	23	1.7	
	Mid	0.008	13	1.2	
	Low	0.006	11	1	

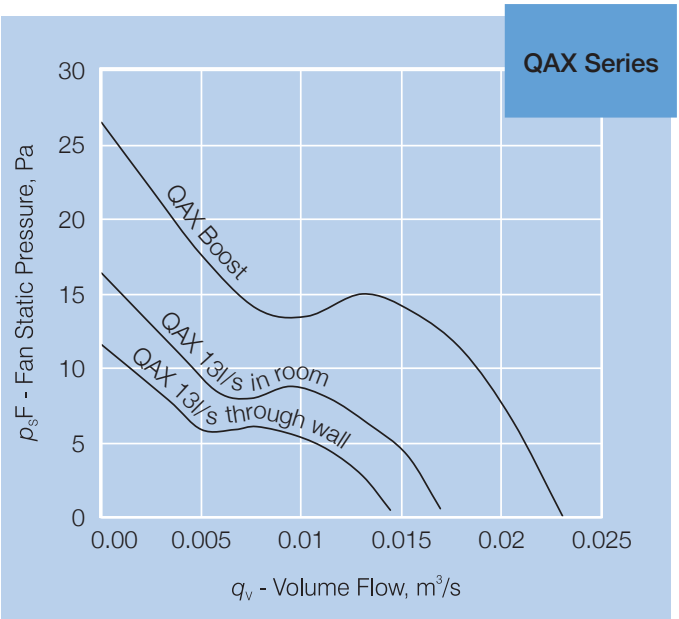
## How To Order



## Dimensions



Model Number	Dimensions, mm					Approx. wt. kg
	A	B	C	D	EØ	
QAX	164	70	46	116	99	0.6





## Elta Fans Malaysia Sdn Bhd (714973-T)

Tel **+603 7846 0340**

Fax **+603 7842 1132**

Email **info@eltafans.asia**

Web **www.eltafans.asia**

No. 147, Jalan TUDM Kampung Baru Subang  
40150 Shah Alam, Selangor West Malaysia, Malaysia

## Elta Fans India Pvt. Ltd.

Tel **+(91) 33 2498 8126**

Fax **+(91) 33 2498 8126**

Email **info@eltafans.in**

Web **www.eltafans.in**

165, Bakhrahat Road, Post - Joka, Hanspukur,  
Kolkata - 700104 West Bengal, India

### Branches

Mumbai **+(91) 22 2683 2155**

New Delhi **+(91) 88 0043 4400**

Bengaluru **+(91) 80 4113 2524**