

# QIN SERIES



## Description

The QIN Series are designed to be used with ducted ventilation solutions. They are slim and simple to set up and operate. This in-line domestic intermittent axial fan is suitable to extract stale air directly outside or through short length ducting. Available in 3 sizes to suit 100, 125 and 150mm duct. Ideal for air extraction in bathrooms, toilets, laundries, kitchens and other small to medium spaces.

### Typical Applications

Exhaust from bathrooms, toilets, laundries, kitchens and other small to medium spaces in houses, hotels and apartments.

### Features

- Unique design winglet-type impeller, providing enhanced aerodynamic properties, low noise levels and increased efficiency.
- Low power consumption with fan consuming less than 8 watts of power for 100mm model.
- Single-phase induction motor with integral thermal protection, mounted on sealed for life high quality sleeve bearings.
- Double insulated so no earth connection is required.
- Available in Standard and run-on timer versions.
- Suitable for continuous and intermittent running.
- Comes with 2 year warranty.
- Mounting foot available upon request.

### Construction

Fan housing made from high quality ABS which is shock proof and long lasting.

Finished in white RAL 9010 and UV resistant.

### Motor

Type - single-phase induction motor.

Electricity supply - single phase 220-240V, 50/60Hz.

Bearings - sleeve.

Maximum ambient temperature - 50°C.

Class II insulation, IPX4 rated.

### Internal Thermal Protection

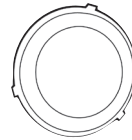
Model 100, 125 and 150 - fuse.

### Testing

Airflow to ISO 5801:2007

Noise to ISO 3741:2010

## Ancillary Equipment



Ceiling Grilles  
Ref. Section L

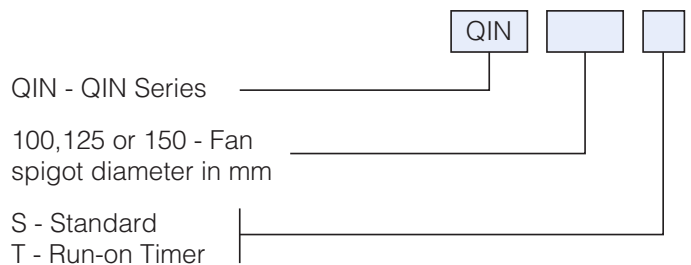


Ducting, Louvres & Grilles  
Ref. Section L

## Suggested Specification

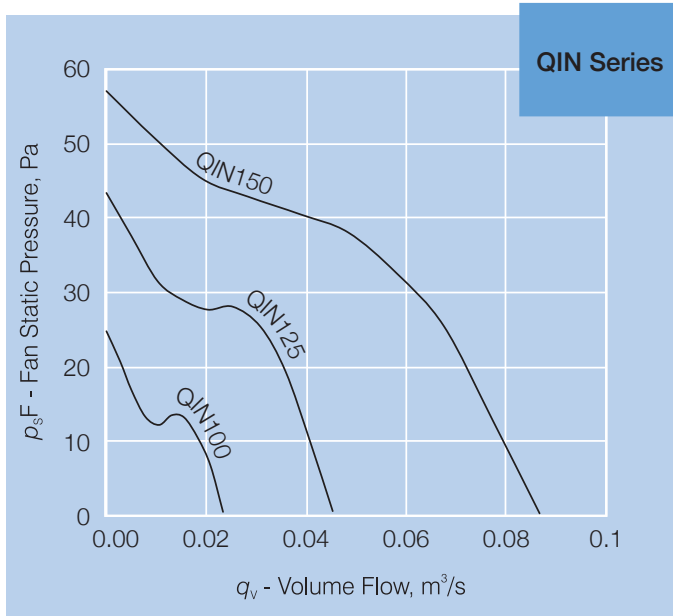
The in-line fans shall be of the QIN Series as supplied by Elta Fans and be of the models shown. It shall have single-phase induction motor with built in thermal protection and double insulated so no earth connection is required. All models shall be fully tested to ISO 5801:2007 for airflow and ISO 3741:2010 for noise.

## How To Order

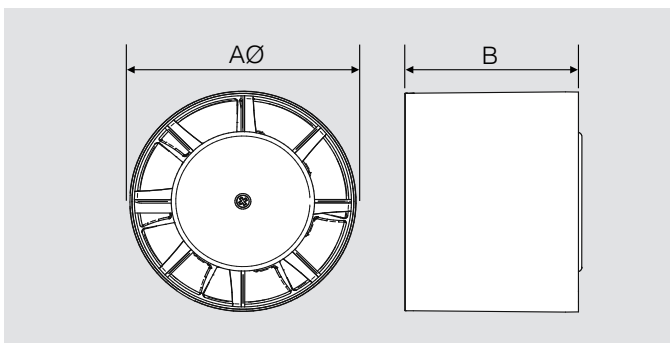


## Technical Data

Model Number	Fan Speed rev/sec	Free Air m <sup>3</sup> /sec	Static Pressure Pa Max	Watts	Avg. dB(A) @ 3m	Max °C
<b>100</b>	41	0.025	24	8	34	50
<b>125</b>	39	0.045	43	14	39	50
<b>150</b>	37	0.087	57	24	45	50



## Dimensions



Model Number QIN...	Dimensions, mm		App. Wt. kg
	AØ	B	
100	99	80	0.37
125	119	90	0.51
150	140	100	0.83



## Elta Fans Malaysia Sdn Bhd (714973-T)

Tel **+603 7846 0340**

Fax **+603 7842 1132**

Email **info@eltafans.asia**

Web **www.eltafans.asia**

No. 147, Jalan TUDM Kampung Baru Subang  
40150 Shah Alam, Selangor West Malaysia, Malaysia

## Elta Fans India Pvt. Ltd.

Tel **+(91) 33 2498 8126**

Fax **+(91) 33 2498 8126**

Email **info@eltafans.in**

Web **www.eltafans.in**

165, Bakhrahat Road, Post - Joka, Hanspukur,  
Kolkata - 700104 West Bengal, India

### Branches

Mumbai **+(91) 22 2683 2155**

New Delhi **+(91) 88 0043 4400**

Bengaluru **+(91) 80 4113 2524**