

ULTIMATE SERIES



Description

The stylish and modern Ultimate ceiling mounted header box fan is the quietest and most powerful in its class. Its fully optimised inlet cone and centrifugal impeller design maximises air pressure that ensures rooms are quickly cleared of steam and unpleasant odours. It includes features such as a unique swing clip and removable spigot that makes it very easy to install into a standard 10" round fan cut out.

Typical Applications

Exhausts from residential or light commercial applications such as toilets, bathrooms, laundries, kitchens and ensuites. Its low profile compact design and side exhaust outlet makes it suitable for mounting between floors and applications with low ceiling heights such as cathedral ceilings.

Features

- Advanced impeller and housing design provides powerful airflow and minimises noise.
- High strength swing clips make installation easy.
- Low resistance non-return backdraft damper maximises air flow performance.
- Easy to remove diffuser makes cleaning simple.
- Can be retrofitted into a standard 10" round fan cut out.
- Fitted plug and lead simplifies installation.
- Square diffuser can be easily rotated to align with walls.
- Available with a modern square or round diffuser.
- Available with a 3 to 15 minute adjustable run-on timer.

Construction

Housing and diffuser are made from injected moulded, fire retardant, ABS plastic. Fans are forward-curved centrifugal, driven by a squirrel cage motor.

Motor

Type - squirrel cage induction motor.

Electricity supply - 230V, single phase, 50Hz.

Bearings - sealed for life, ball.

See pages O-2/3 for details on these motors.

Internal Thermal Protection

Automatic reset thermal protection is fitted as standard.

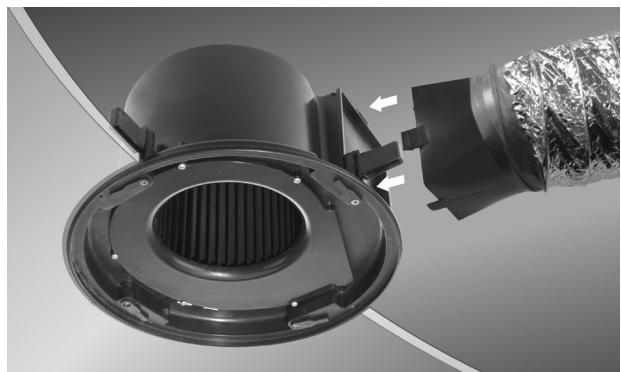
Testing

Airflow to ISO5801:2007

Noise to ISO3744:2010

Special Features

Easy duct connection



Long clip-in spigot makes installation and duct connection easier.

Installation is made easy



Rotate swing clips to hold fan body in place.



Tighten screws so clips clamp onto ceiling board.

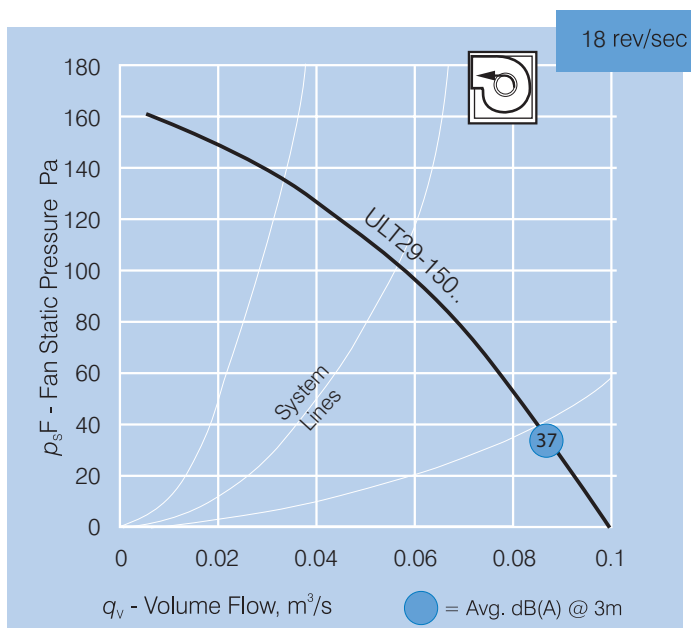
Suggested Specification

The ceiling fans shall be of the Ultimate Header Box Series as designed by Elta Fans. and be of the model number shown on the schedule/drawing.

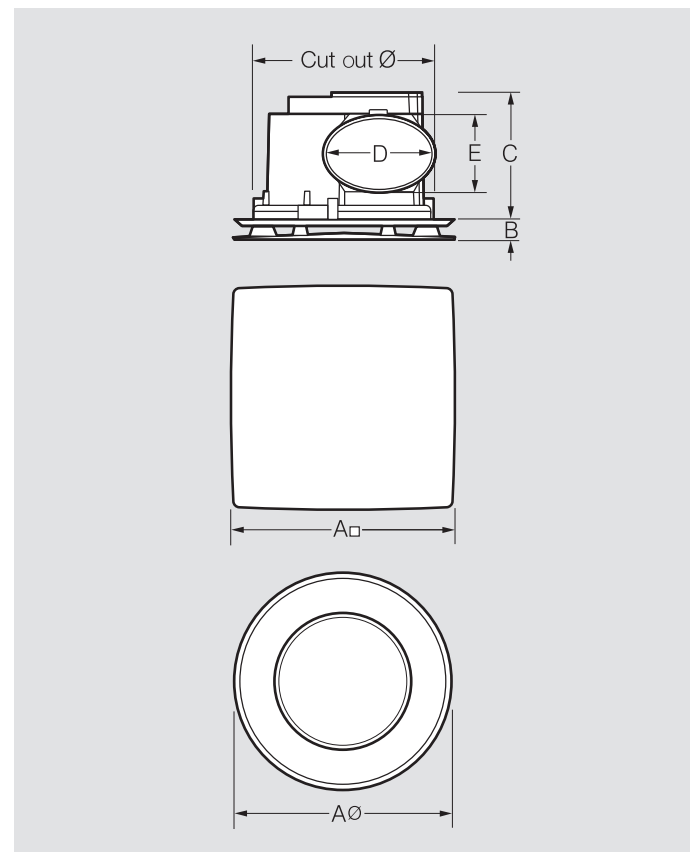
Impellers shall be forward-curved centrifugal and driven by a squirrel cage motor with integral thermal protection. They shall be fitted with high strength swing clips, removable spigot, low resistance non-return backdraft damper and removable clip-in diffuser. They shall include a plug and lead, and its housing and diffuser be made of injected moulded, fire retardant, ABS plastic.

They shall be tested to ISO5801:2007 for airflow and ISO3744:2010 for noise.

Performance Curve



Dimensions



Model Number	Description	Cut out Ø	Dimensions, mm				
			A	B	C	D	E
ULT29-150SDW..	Square diffuser	295	353□	30	197	170	120
ULT29-150RDW..	Round diffuser	295	332Ø	30	197	170	120

Technical Data

Model Number	Fan Speed rev/sec	Avg. dB(A) @ 3m	Watts	Amps	App. Wt. kg
ULT29-150..	18	37	60	0.27	3.25

Ancillary Equipment



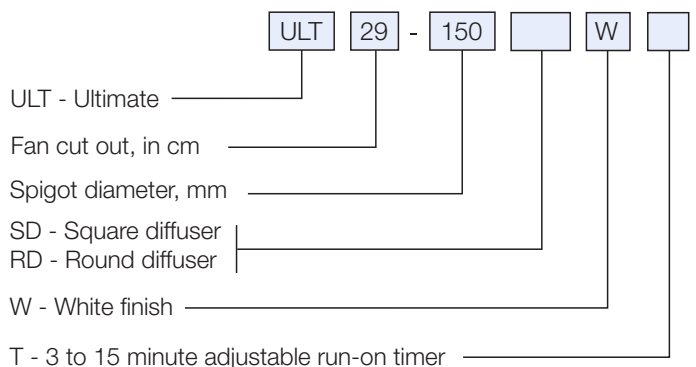
VA - Speed controller*
Ref. Section M



Ducting, Louvres & Grilles
Ref. Section L

* Not suitable for models with run-on timers

How To Order





Elta Fans Malaysia Sdn Bhd (714973-T)

Tel **+603 7846 0340**

Fax **+603 7842 1132**

Email **info@eltafans.asia**

Web **www.eltafans.asia**

No. 147, Jalan TUDM Kampung Baru Subang
40150 Shah Alam, Selangor West Malaysia, Malaysia

Elta Fans India Pvt. Ltd.

Tel **+(91) 33 2498 8126**

Fax **+(91) 33 2498 8126**

Email **info@eltafans.in**

Web **www.eltafans.in**

165, Bakhrahat Road, Post - Joka, Hanspukur,
Kolkata - 700104 West Bengal, India

Branches

Mumbai **+(91) 22 2683 2155**

New Delhi **+(91) 88 0043 4400**

Bengaluru **+(91) 80 4113 2524**