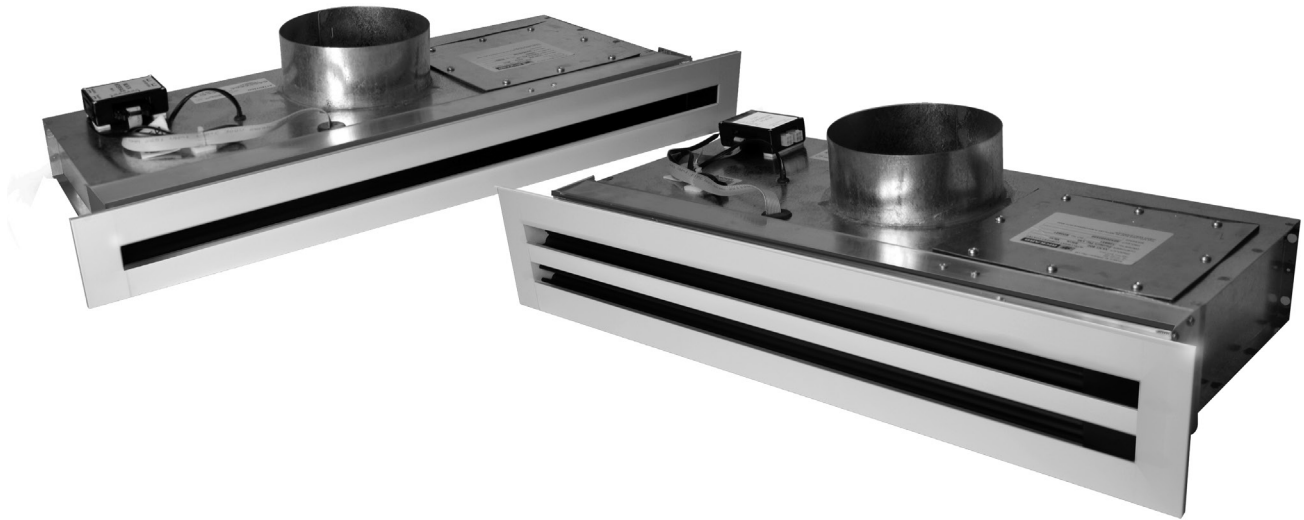


RICKARD ELECTRONIC VAV DIFFUSER SERIES

Linear Slot Electronic VAV Ceiling Diffusers



Description

Rickard linear slot diffusers provide an effective means of distributing conditioned air into the perimeter zones of a building where the temperature control requirements are the most demanding. The slim, attractive shape of the diffuser ensures that its subtle design works with most architectural styles. At the same time its superior aerodynamic design ensures that the air distribution creates no drafts, is quiet and highly efficient.

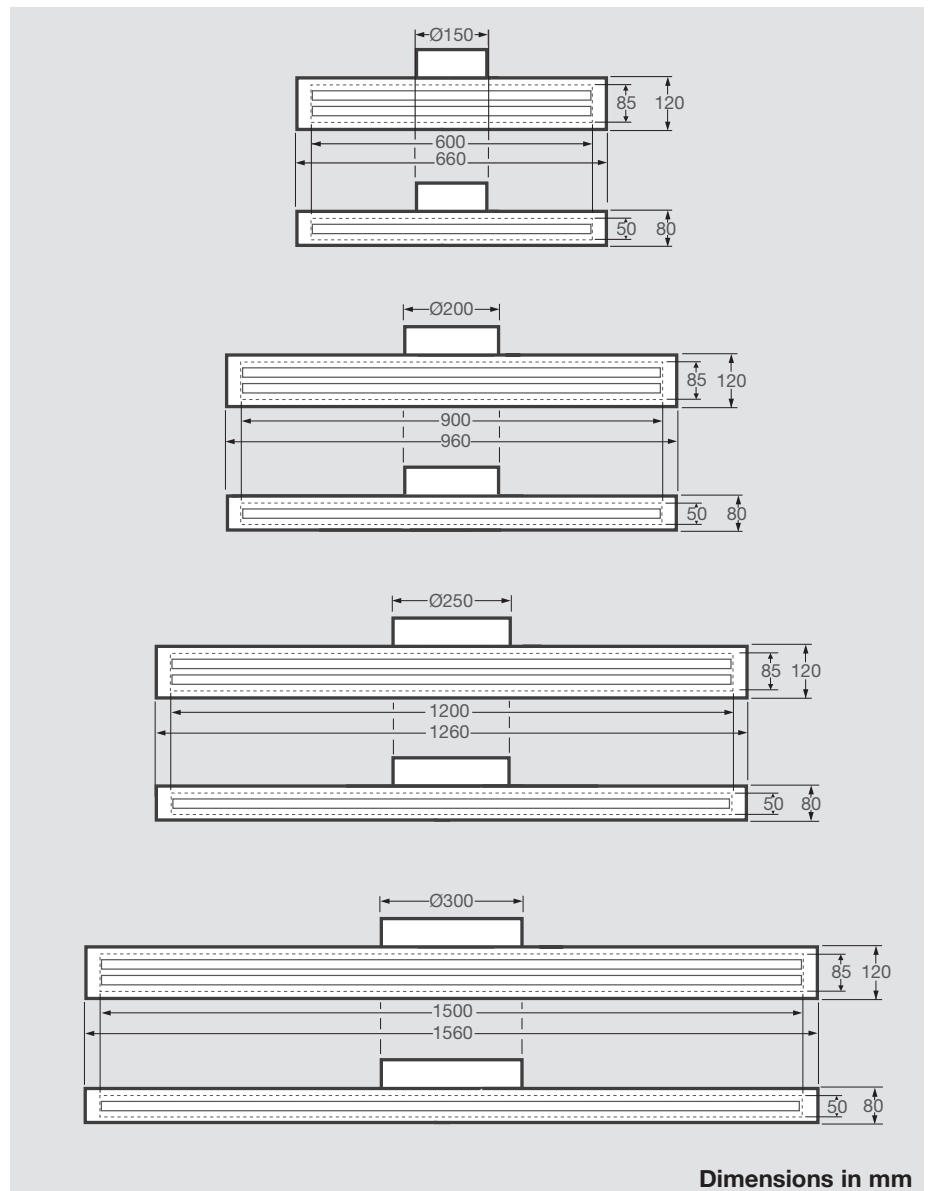
A linear slot diffuser must be connected to a wall thermostat (temperature sensor) for it to perform as a master diffuser. The diffuser can then operate with one or more slave diffusers, or as a standalone system.

Air volume control is achieved with the opening and closing of vanes driven by an electric actuator. This increases or decreases the aperture size which varies the volume of conditioned air to enter the occupied space.

Features

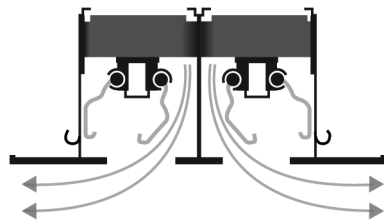
- Airflow direction from diffuser can be easily adjusted by the occupant.
- Available in one or two slots and widths ranging from 660 to 1560mm.
- Air discharge volumes from 10% to 100% can be achieved.

Dimensions

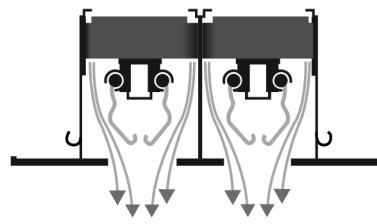


RICKARD ELECTRONIC VAV DIFFUSER SERIES

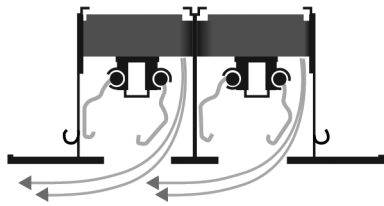
Airflow Direction



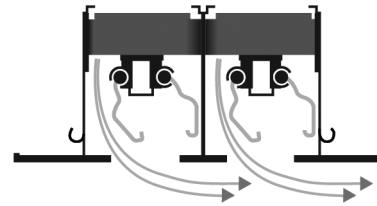
Two way Airflow



One way Airflow - downward



One way Airflow - left



One way Airflow - right

Specifications and Performance

Neck Size (mm)	Width Size (mm)	Product Numbers		Neck Pressure (Pa)					Neck Pressure (Pa)					Neck Pressure (Pa)					
		Single Slot (80mm, high)	Dual Slot (120mm, high)	30	40	50	60	70	30	40	50	60	70	30	40	50	60	70	
150	600	VLN6001/1	VLN6001/2	Airflow (L/s)	41	48	53	59	64	54	62	69	76	82	41	48	53	59	64
				Throw (m)	4.5	4.8	5.1	5.4	5.6	3.2	3.4	3.6	3.8	3.9	6.4	6.9	7.3	7.6	7.9
				NC Level (NC)	30	33	35	37	39	30	33	35	37	39	30	33	35	37	39
200	900	VLN9001/1	VLN9001/2	Airflow (L/s)	71	82	92	99	108	85	98	109	120	129	71	82	92	99	108
				Throw (m)	5.5	5.9	6.3	6.6	6.8	3.9	4.2	4.4	4.6	4.8	7.8	8.4	8.9	9.3	9.7
				NC Level (NC)	32	35	37	39	41	32	35	37	39	41	32	35	37	39	41
250	1200	VLN12001/1	VLN12001/2	Airflow (L/s)	96	111	124	135	146	118	137	153	168	181	96	111	124	135	146
				Throw (m)	6.4	6.9	7.3	7.6	7.9	4.5	4.8	5.1	5.4	5.6	9.0	9.7	10.3	10.7	11.2
				NC Level (NC)	33	36	38	40	42	33	36	38	40	42	33	36	38	40	42
300	1500	VLN15001/1	VLN15001/2	Airflow (L/s)	118	136	151	166	179	155	179	199	218	236	118	136	151	166	179
				Throw (m)	7.1	7.7	8.1	8.5	8.8	5.0	5.4	5.7	6.0	5.2	10	10.8	11.5	12.0	12.5
				NC Level (NC)	34	37	39	41	43	34	37	39	41	43	34	37	39	41	43

Performance data applicable for Dual Slot Linear Diffusers only.

Throw data is taken 25mm below the ceiling on a line through the centre of the diffuser with the vanes fully open & an air velocity of 0.25m/s.

Noise criteria levels apply to a single diffuser mounted in a room having a Sound Absorption of 10dB in octave bands having centre frequencies from 125Hz to 8000Hz (ie. the difference between Sound Pressure Level (dB re: 10⁻⁶ Pa) and Sound Pressure Level (dB re: 10⁻¹² Pa) is equal to 10dB). These levels represent only the noise generated by the diffuser and do not take into account any duct-borne noise.

Diffusers are factory set for a minimum of 30% of the maximum flow levels reflected above. It should be noted that minimum Airflow settings are approximate & may require to be reset on site to compensate for actual site system pressures.



Elta Fans Malaysia Sdn Bhd (714973-T)

Tel **+603 7846 0340**

Fax **+603 7842 1132**

Email **info@eltafans.asia**

Web **www.eltafans.asia**

No. 147, Jalan TUDM Kampung Baru Subang
40150 Shah Alam, Selangor West Malaysia, Malaysia

Elta Fans India Pvt. Ltd.

Tel **+(91) 33 2498 8126**

Fax **+(91) 33 2498 8126**

Email **info@eltafans.in**

Web **www.eltafans.in**

165, Bakhrahat Road, Post - Joka, Hanspukur,
Kolkata - 700104 West Bengal, India

Branches

Mumbai **+(91) 22 2683 2155**

New Delhi **+(91) 88 0043 4400**

Bengaluru **+(91) 80 4113 2524**